

# REACH RIDER STACKER

EPS AC

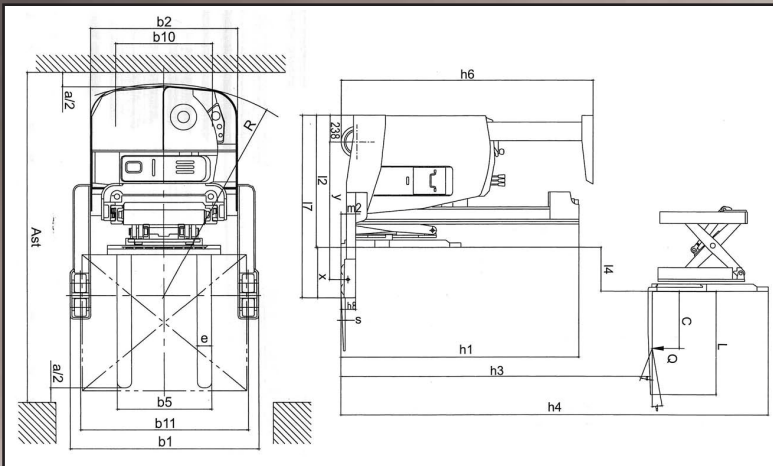
AC POWERED ELECTRIC RIDER 3,000-4,000LB



Single & Double Reach



ESRRACX-EPS



|                               |  |                    | 30                         | 35                 | 40                               | 30                                    | 35                               | 40    |
|-------------------------------|--|--------------------|----------------------------|--------------------|----------------------------------|---------------------------------------|----------------------------------|-------|
|                               |  |                    | 2 STAGE MAST               |                    |                                  | 3 STAGE MAST                          |                                  |       |
| <b>Characteristics</b>        | Load capacity                                | LBS                | 3000                       | 3500               | 4000                             | 3000                                  | 3500                             | 4000  |
|                               | Drive / Operation type                       | Type               | Electric - Rider           |                    |                                  | Electric - Rider                      |                                  |       |
|                               | Load centre distance                         | IN                 | 24                         |                    |                                  | 24                                    |                                  |       |
|                               | Wheel number, front/rear (x = driving wheel) | #                  | 1+2                        |                    |                                  | 1+2                                   |                                  |       |
|                               | Tread, front                                 | IN                 | 26.5                       |                    |                                  | 26.5                                  |                                  |       |
|                               | Tread, rear                                  | IN                 | 44.9                       |                    |                                  | 44.9                                  |                                  |       |
|                               | Wheels                                       | Type               | polyurethane               |                    |                                  | polyurethane                          |                                  |       |
|                               | Wheel dimension, front                       | IN                 | 11.0 x 3.2 + 6.3 x 2.4 (2) |                    |                                  | 11.0 x 3.2 + 6.3 x 2.4 (2)            |                                  |       |
|                               | Wheel dimension, rear                        | IN                 | 4.9 x 3.2 (4)              |                    |                                  | 4.9 x 3.2 (4)                         |                                  |       |
| Wheelbase                     | IN   | 51.9               |                            |                    | 57.8                             |                                       |                                  |       |
| <b>Dimensions</b>             | Max. lift height                             | IN                 | 118.1 / 137.8 / 157.5      |                    |                                  | 177.2 / 196.9 / 216.5 / 236.2 / 255.9 |                                  |       |
|                               | Mast height, extended                        | IN                 | 153.5 / 173.2 / 192.9      |                    |                                  | 212.6 / 232.3 / 252.0 / 271.7 / 291.3 |                                  |       |
|                               | Free Lift Height                             | IN                 | -                          |                    |                                  | 69.9 / 69.9 / 79.1 / 81.9 / 88.2      |                                  |       |
|                               | Ground Clearance                             | IN                 | 1.9                        |                    |                                  | 1.9                                   |                                  |       |
|                               | Mast height, lowered                         | IN                 | 83.7 / 93.5 / 103.3        |                    |                                  | 86.0 / 92.3 / 98.6 / 105.3 / 111.8    |                                  |       |
|                               | Overall length                               | IN                 | 103.0                      | 106.9              | 106.9                            | 103.0                                 | 106.9                            | 106.9 |
|                               | Overall width                                | IN                 | 51.0 / 40.9                |                    |                                  | 40.9 - 51.5                           |                                  |       |
|                               | Fork dimension                               | IN                 | 1.6 x 3.9 x 42.0           |                    |                                  | 1.6 x 3.9 x 42.0                      |                                  |       |
|                               | Fork length                                  | IN                 | 42.0                       |                    |                                  | 42.0                                  |                                  |       |
|                               | Fork width                                   | IN                 | 3.9                        |                    |                                  | 3.9                                   |                                  |       |
|                               | Straddle Width                               | IN                 | 6.6                        |                    |                                  | 6.6                                   |                                  |       |
|                               | Inside Straddle width                        | IN                 | 38.3                       |                    |                                  | 38.3                                  |                                  |       |
|                               | Outside Straddle width                       | IN                 | 51.5                       |                    |                                  | 51.5                                  |                                  |       |
|                               | Aisle width, with pallet 39"x47" crosswise   | IN                 | 116.4                      | 118.6              | 118.6                            | 116.4                                 | 118.6                            | 118.6 |
|                               | Aisle width, with pallet 32"x47" lengthwise  | IN                 | 119.2                      | 121.5              | 121.5                            | 119.2                                 | 121.5                            | 121.5 |
|                               | Turning radius                               | IN                 | 70.5                       | 72.8               | 72.8                             | 70.5                                  | 72.8                             | 72.8  |
| Battery box dimension (LxWxH) | IN   | 38.9 x 16.0 x 21.7 |                            |                    | 38.9 x 16.0 x 31.7               |                                       |                                  |       |
| Battery weight                | LBS  | 1122               |                            |                    | 1782                             |                                       |                                  |       |
| Service weight (with battery) | LBS  | 6886 / 6996 / 7106 | 7282 / 7392 / 7502         | 7403 / 7513 / 7623 | 7414 / 7634 / 7854 / 8074 / 8294 | 7810 / 8030 / 8250 / 8470 / 8690      | 7931 / 8151 / 8371 / 8591 / 8811 |       |
| <b>Performance</b>            | Traveling speed, laden/unladen               | MPH                | 4.0 / 4.3                  |                    |                                  | 4.0 / 4.3                             |                                  |       |
|                               | Lifting speed, laden/unladen                 | IN/S               | 7.9 / 11.8                 |                    |                                  | 7.9 / 11.8                            |                                  |       |
|                               | Lowering speed, laden/ unladen               | IN/S               | 12.6 / 12.2                |                    |                                  | 12.6 / 12.2                           |                                  |       |
|                               | Max. gradeability, laden/unladen             | %                  | 5 / 12                     |                    |                                  | 5 / 12                                |                                  |       |
| <b>Driving System</b>         | Battery type                                 |                    | Industrial                 |                    |                                  | Industrial                            |                                  |       |
|                               | Battery voltage/rated capacity               | v/Ah               | 36 / 490                   |                    |                                  | 36 / 700                              |                                  |       |
|                               | Charger, 110v plug-in                        | Type               | Off Board                  |                    |                                  | Off Board                             |                                  |       |
|                               | Driving motor power                          | HP                 | 4.0 (AC)                   |                    |                                  | 4.0 (AC)                              |                                  |       |
|                               | Lifting motor power                          | HP                 | 13.4                       |                    |                                  | 13.4                                  |                                  |       |
|                               | Control system                               | Type               | Curtis 1234                |                    |                                  | Curtis 1234                           |                                  |       |
|                               | Service brake                                | Type               | Electromagnetic            |                    |                                  | Electromagnetic                       |                                  |       |

\*All models are also available with Double Reach.

Meets or exceeds ASME B56.1 and CSA B335 Standards. Specifications are subject to change without notice.

www.starkecanada.com • 1-877-435-4352 • sales@starkeforklift.com • www.starkeusa.com

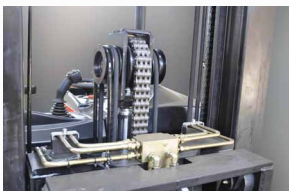


Rev 03/2015

# REACH RIDER STACKER

EPS AC

AC POWERED ELECTRIC RIDER 3,000-4,000LB

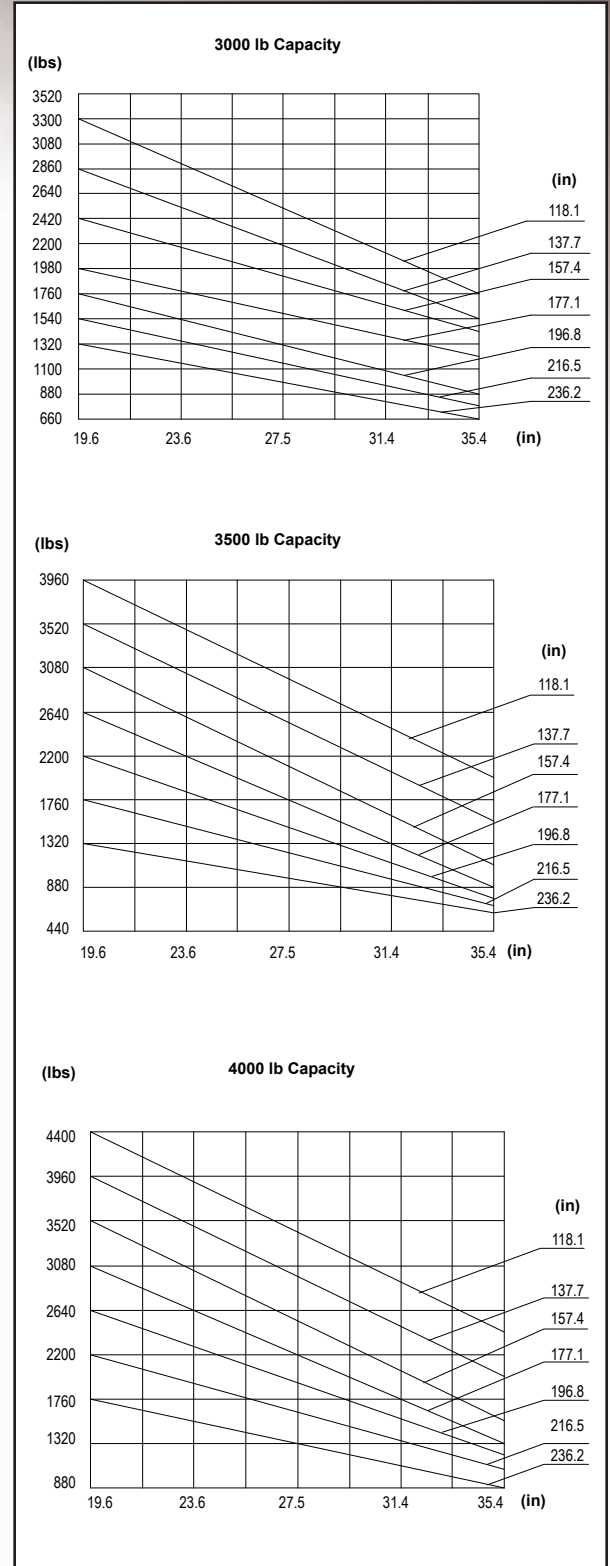


## Models: ESRR30-35-40ACX-EPS FEATURES

- Optional electric power steering for easy handling
- Advanced AC control system
- Stepless speed control
- Regenerative braking system
- Equipped with adjustable hand rest, adaptable to fit different operators
- Large cab area for operator comfort
- Multi-function display: battery status, hour meter, fault indicator, etc.
- Dampening materials make for quieter operation
- Built-in pressure relief valve
- Emergency power disconnect
- Low centre of gravity ensures stability
- Vertical driving wheel for small turning radius
- Motor structure is water and dust proof
- Convenient roll out battery system for easy replacement
- Accessible back cover make maintenance and adjustments trouble free
- Low maintenance design

## OPTIONAL

- Deep/Double reach
- Sideshift
- Straddle legs with options
- Double front wheels



Rev 03/2015

Meets or exceeds ASME B56.1 and CSA B335 Standards. Specifications are subject to change without notice.

www.starkecanada.com • 1-877-435-4352 • sales@starkeforklift.com • www.starkeusa.com

