



Personnel Carrier

ELECTRIC SEATED CART

1,100LB

Mobilität Series



UTT05

Mobilität means Mobility.

The Stärke Mobilität includes German engineering and design aspects which power over the competition in strength, versatility and usability.

The Mobilität is more than just an electric cart; it combines the maneuverability of a personnel carrier, the strength of a burden carrier, and the pulling capacity of a light duty tug. Employing three times the return; the Mobilität replaces the need for a tug, personnel carrier and burden carrier. Get from point A to B quietly in your facility by yourself, with cargo, with a passenger or with a passenger while pulling a load.

FEATURES

Towing Capacity

- 1,100 lbs

Wheels

- Elastic solid

Weight with Battery

- 1036 lbs

Battery

- 4 x 6V, deep cycle US/GNB
- 220 Ah

Controls

- Curtis fully programmable
- Multi-function display with BDI
- Backup alarm
- Parking brake

Options

- Optional drawbar

Frame

- Driver's seat folds back allowing a second passenger.
- Back deck / platform is 8.3 x 30.7"
- Carries up to 660lbs of cargo or two people
- Ergonomically designed bucket seat with detachable back rest
- Length 86"
- Width 30.7"

Powertrain/Electrical

- DC brushless motor provides efficient use of power, steady acceleration and travel speeds while contributing to smoother operation
- Travel speed 8.7mph unloaded, 5 mph loaded
- 4.5 HP motor



Meets or exceeds ASME B56.1 and CSA B335 Standards. Specifications are subject to change without notice.

www.starkecanada.com • 1-877-435-4352 • sales@starkeforklift.com • www.starkeusa.com



Rev 03/2015

Mobilität Series

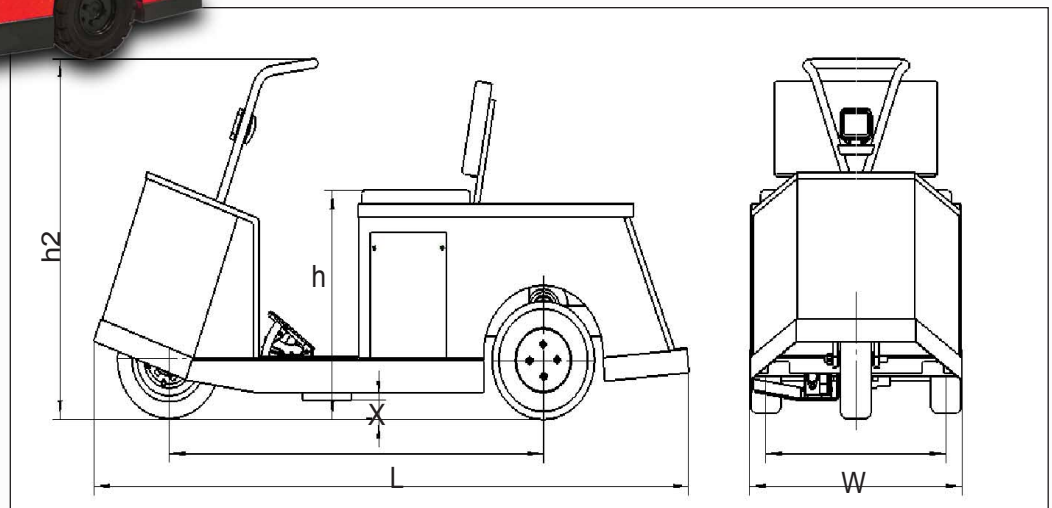
Why Choose a Stärke Mobilität over a competitor?

Personnel Mover	Stärke Mobilität	Cushman Minute Miser	Motrec E-100
Passenger Capacity	Two (2)	Two (2)	One (1)
Tow Capacity	1,100 lbs	500 lbs	1,000 lbs
Cargo Capacity	660 lbs	300 lbs	300 lbs
Wheel Base	54"	48"	56"
Curb Weight	1036 lbs	740 lbs	400 lbs
Tires	Solid Rubber	Pneumatic	Pneumatic
Battery	4 x 6v-220Ah	4 x 6v-220Ah	2 x 12v -105 Ah


UTTO5

Application

The Mobilität was built for industrial applications with more steel for strength, solid/resilient/no-flat tires, and long charge times.



Mobilität UTTO5					
Capacity	lbs	1,100	Overall Length	L (in)	86.0
Rated Traction Weight	lbs	2,200	Overall width	W (in)	30.7
Travel Speed	Laden/Unladen	mph	8.7/5.0	Ground Clearance	X (in)
Axle loading, unladen front/rear	lbs	352/684	Turning Radius	Wa (in)	73.0
Wheelbase	in	54.0	Drive Motor Power	hp	4.3
Tires		Elastic Solid	Battery Voltage, normal capacity K5	v/Ah	24/217
Tire Size		15 x 4 - 8 1/2	Battery Weight	lb	212
Number of wheels (x-drive wheels) Front/Rear		1 / 2x	Battery Dimension	l/w/h	in 28.7 x 10.6 x 11.0
Tread	Rear	W1 (in)	Service Weight with Battery	lb	1036
Seat Height	h (in)	28.7	Drawbar		Optional Drawbar
Operating handle height	h2 (in)	43.0			