

Kraft means Force.

The Stärke Kraft includes German engineering and design aspects which power over the competition in strength, versatility and usability. This electric puller tug was ergonomically designed as a compact, easy to maneuver unit capable of pulling up to 3,300 lbs across your warehouse, factory or distribution facility.

FEATURES

Towing Capacity

- 3300 lbs

Wheels

- Front - Pneumatic
- Back - Rubber

Weight with Battery

- 330 lbs

Battery

- Built-in charger
- 24/80aH

Controls

- Fingertip control
- Emergency stop device
- Step-less speed control

Frame

- Compact design, built for easy
- Ergonomically designed handle
- Length 66.7"
- Width 28.4"
- Turning radius 50.8"



UTT15W

Powertrain/electrical

- DC brushless motor
- Travel speed 3.4 mph unloaded, 3 mph loaded





STÄRKE
UTILITY

Kraft Series

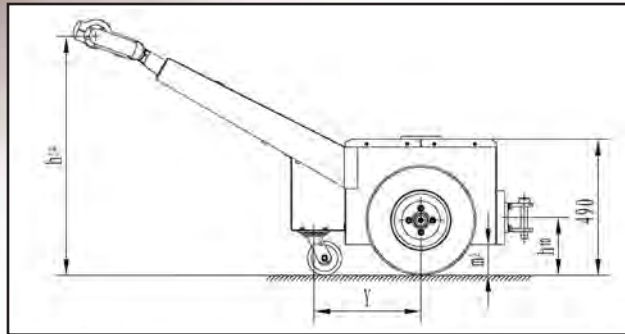
Electric Puller

ELECTRIC PULLER

3,300LB

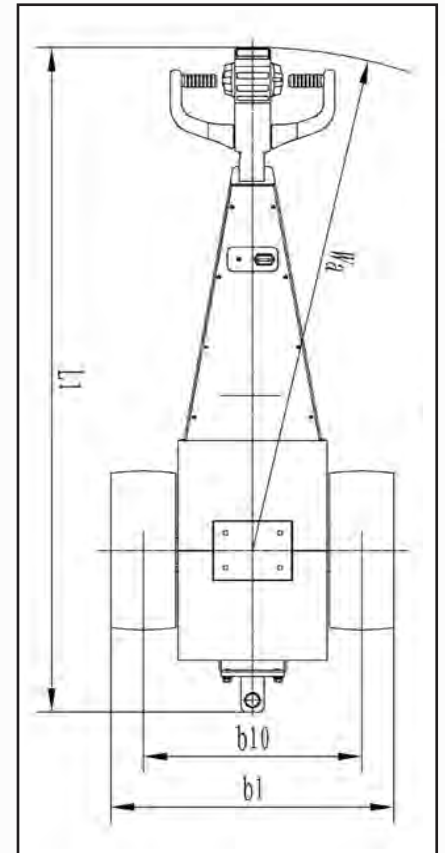
Why Choose a Stärke Kraft over a competitor?

Puller	Stärke Kraft	Mobile TUG 15	ADS Xpress Plus 200
Tow Capacity	3,300 lbs	1,500 lbs	1,500 lbs
Drawbar Pull	300 lbs	N/A	250 lbs



UTT15W

Kraft Electric Puller		UTT15W
Capacity	lbs	3,300
Rated Drawbar Pull	N	300
Wheelbase	y (in)	15.6
Axle loading, unladen	Front	lbs 235.4
Axle loading, unladen	Rear	lbs 94.6
Tire Size	Front, pneumatic	16 x 6.5-8.00
	Rear, rubber	5.0
Wheels, number front/rear (x=drive wheels)		2x/1
Tread	Front	b10 (in) 21.9
Height of Tiller in drive position		h14 (in) 35.0
Draw Chassis height		h10 (in) 7.0 x 8.6 x 10.2
Overall length		l1 (in) 66.7
Overall width		b1 (in) 28.4
Ground clearance		m2 (in) 3.9
Turning radius		Wa (in) 50.8
Travel Speed	Laden	mph 3.0
Travel Speed	Unladen	mph 3.4
Drawbar pull	Laden/Unladen	N 300
Drawbar pull (max)	Laden/Unladen	N 1000
Brake		electric
Battery Voltage		v/Ah 24/80
Battery Weight		lbs 107.8
Battery Dimensions	L x W x H	in 10.2 x 6.7 x 8.5
Type of Drive Control		mosfet
Battery Compartment Size		in 10.6 x 7.0 x 8.9
Service Weight with battery		lbs 330



Meets or exceeds ASME B56.1 and CSA B335 Standards. Specifications are subject to change without notice.

www.starkecanada.com • 1-877-435-4352 • sales@starkeforklift.com • www.starkeusa.com



Rev 03/2015